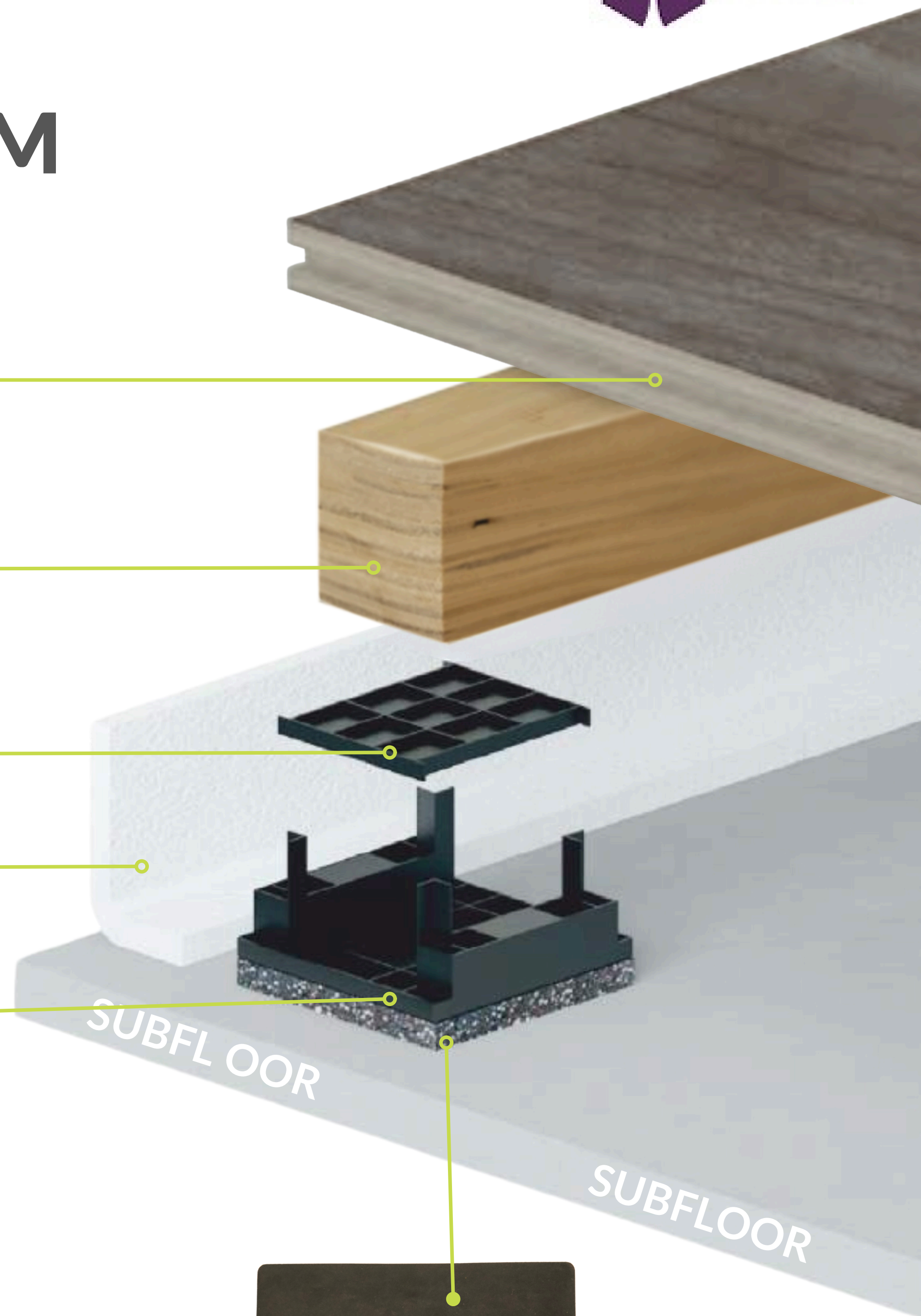


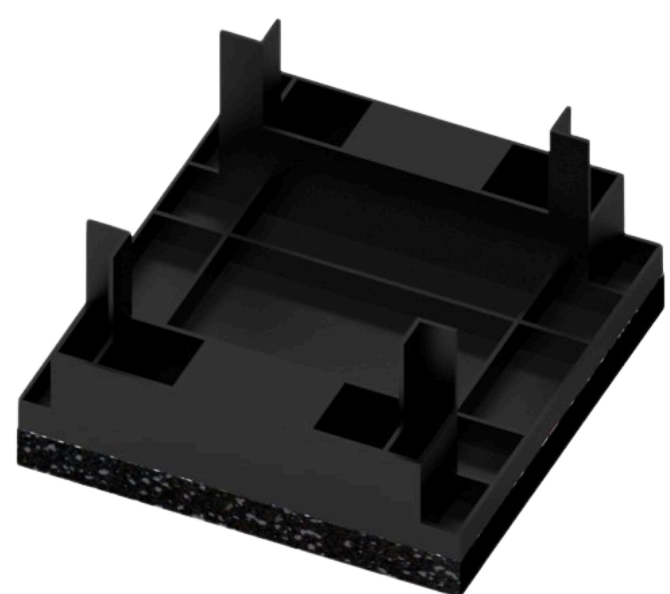
ACOUSTIC SYSTEM

- T&G STRUCTURAL FLOORBOARD** 1
Refer to manufacturer for compatibility
- NEW ERA LAMINATED BATTEN** 2
36mm or 48mm
- PACKER** 3
- PERIMETER FLANKING STRIP** 4
10mm
- ACOUSTIC CRADLE** 5



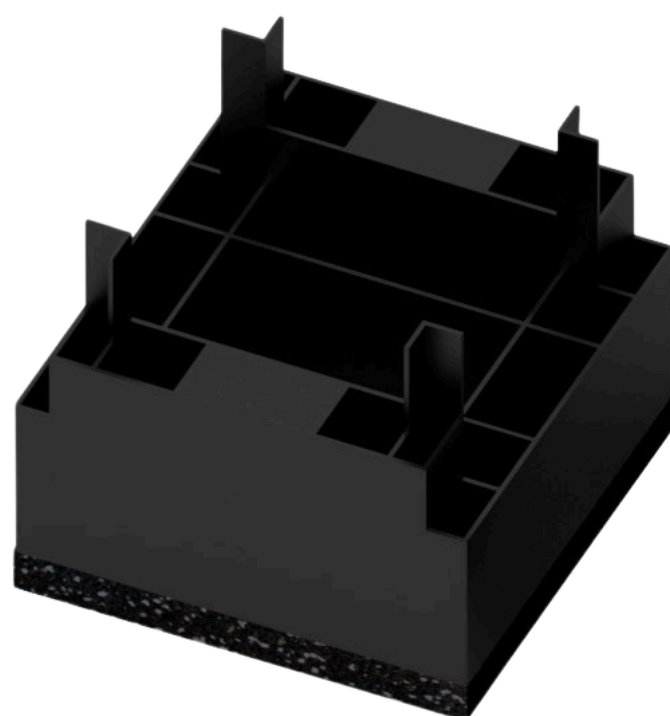
IMPROVED TEST RESULTS

The New Era acoustic cradle was tested at AIRO on the 26th February 2019 for impact sound insulation for compliance with Robust Details Ltd requirements as stipulated in the Robust Detail Handbook for FFT2 Resilient Cradle and batten system.



TEST 1

Ref L/3554/2 was with the 16/30mm cradles using a 36mm batten (average floor height 74-80mm) Result was **28db sound reduction**



TEST 2

Ref L/3554/3 was with 45/60mm cradle using a 46mm batten (average floor height 136-138mm) Result was **29db sound reduction**





A **NEW ERA** IN SPORTS & PERFORMANCE FLOORING

GYMFLEX SPORTS FLOORING

Refer to manufacturer for compatibility

1

NEW ERA LVL LAMINATED BATTEN

36mm or 48mm

2

PACKER

3

SPORTS CRADLE

4



New Era Sports Cradles are suitable for high performance sports, dance and Multi-purpose use and have been tested at the Centre of Sports Technology and conforms to En14904: Class A4.*

New Era sports cradles can take a maximum spread load of 500kg per m² and point loads of 350kg per m².

Test data available for download in the technical section of this website.

